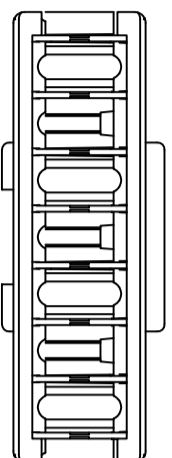
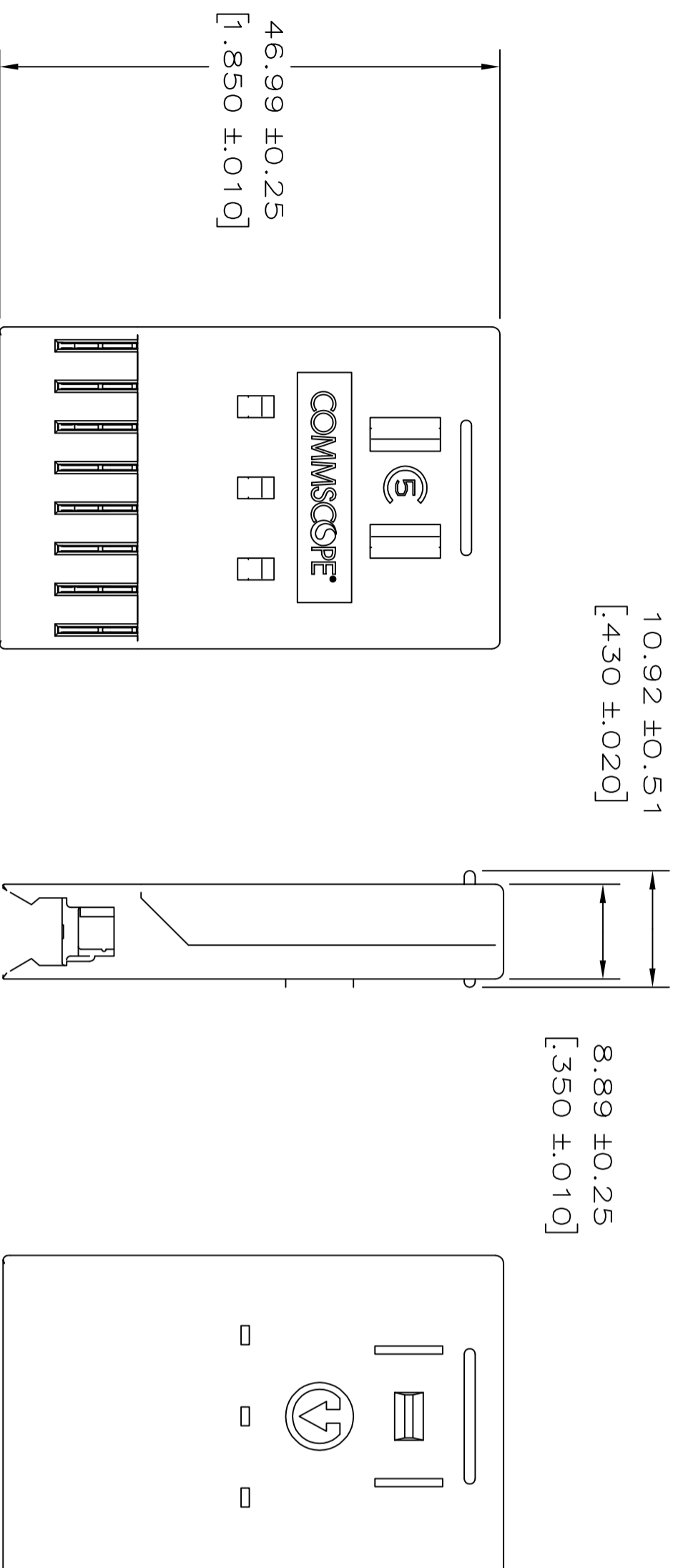


THIS DRAWING IS UNPUBLISHED.

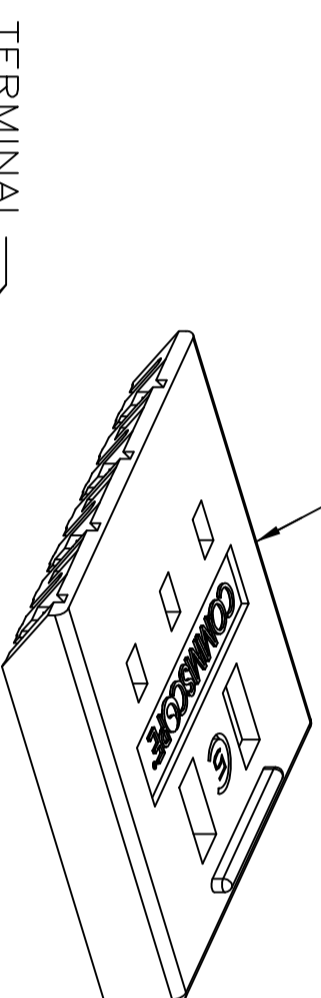
RELEASED FOR PUBLICATION

© 2016 Commscope, Inc. Confidential
NOTE: This drawing and information are the confidential property of Commscope, Inc. and may be used only for the specific purpose authorized in writing by Commscope, Inc.

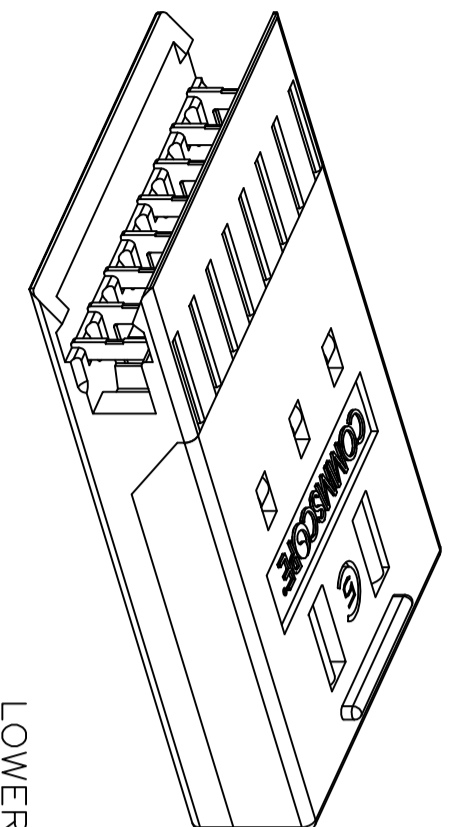
REVISIONS			
P	LR	DESCRIPTION	DATE
E		REV: 40032401MCO	15AUG2016
			GC
			MS



UPPER PLUG HOUSING



TERMINAL



LOWER PLUG ASSEMBLY

1 MATERIAL:

HOUSING—POLYCARBONATE, IVORY, UL 94V-O.
 TERMINALS—0.41 [.016] THICK PHOSPHOR BRONZE
 PLATED WITH 0.00381 [.000150] MINIMUM THICK
 BRIGHT TIN—LEAD OVER 0.00127-0.00330
 [.000050-.000130] THICK NICKEL UNDERPLATE.

2. EDIT KIT SHIPPED NOT ASSEMBLY.

3. SEE RESTRICTED CUSTOMER DRAWING 2-569480-1.

4. SEE RESTRICTED CUSTOMER DRAWING 3-569480-1.

WITH COMMSCOPE LOGO	569480-1
DESCRIPTION	PART NO

569480

THIS DRAWING IS A CONTROLLED DOCUMENT.

DIMENSIONS: MM [INCHES]



TOLERANCES UNLESS OTHERWISE SPECIFIED:

0 PLG	±
1 PLG	±
2 PLG	±
3 PLG	±
4 PLG	±
ANGLES	±
FINISH	-

DMN K BARKER 11-2-95
 CHK D AHERON 11-2-95
 APD G REED
 PRODUCT SPEC
 APPLICATION SPEC
 WEIGHT
 CUSTOMER DRAWING

COMMSCOPE, INC.

PLUG KIT, 4 PAIR, 110 PATCHCORD

SIZE A2
 QAGE CODE 00779
 DRAWING NO C=569480
 SCALE 2:1

RESTRICTED TO